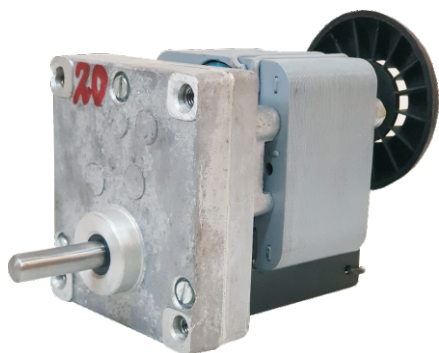




Since 1974

A. C. SHADED POLE GEARED MOTORS

Type GDE



**Finest Materials
quality & workmanship**

Application Areas :

- Business Equipment ■ Appliances ■ Pumps ■ Automatic Merchandising Machines
- Diamond cutting /Polishing M/c. ■ Vending M/c. ■ Oil Skimmers

ALL PURPOSE GEAR MOTOR

Delco's High quality & compact Gear Motors are a result of over 45 years manufacturing experience of wide variety and range. Gear motors are designed and built to meet the strictest performance demands for long life and trouble free application for original equipment manufacturers.

ENGINEERING DESIGN :

"Delco" motors are designed specifically for customs design to your specification. Complete engineering for just the right OEM motor for the exact torque and speed to fit your specific design need.

ECONOMICAL

Our improved tooling, production and rigid inspection at all stages assures your original equipment long life operation and at lowest cost possible.

SPECIFICATION

Motor :

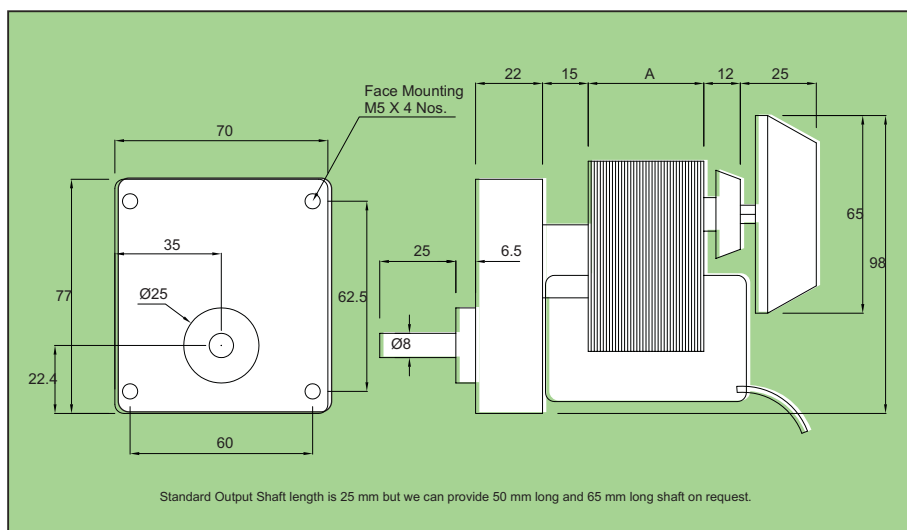
- 2 Pole Shaded Pole AC
- 12 to 240 VAC, 50 Hz.
- Output fixed speeds 5 to 140 RPM.
- Ball bearing type only.

Gear Reducer :

- First stage with self lubricating delrin gear, helps to minimise noise level
- Hardened alloy steel wide-face gears for higher torque requirements
- Perfect aligned & matched gears on ground pins assembled in Aluminium die cast housing.

Optional Features :

- Thermal protection ■ Cooling fan ■ Solder terminals or leads.
- For better torque with standing brass gear at first stage available.



Out put Speed RPM	Torque - Kg. Cm.		
	Delco Part No.		
	GDE 17	GDE 25	GDE 38
5	20	20	20
7.5	20	20	20
10	16	20	20
20	8.5	12.5	15.5
30	5.5	8.3	10.2
40	4	6	8
60	2.7	4	5
80	2	3	4
90	1.8	2.8	3.5
110	1.5	2.3	2.8
120	1.4	2	2.6

All values based on a 25% duty cycle or continuous duty with a 65 mm dia. cooling fan mounted on the rotor shaft.



Delco Fans Pvt. Ltd.

Plot No. A/388, Rd. No. 28, Wagle Estate, Thane - 400 604, M.S. INDIA.
Tel : +91-9769201564/7506960811. Email: delcofans@gmail.com
Website: www.delcofans.com