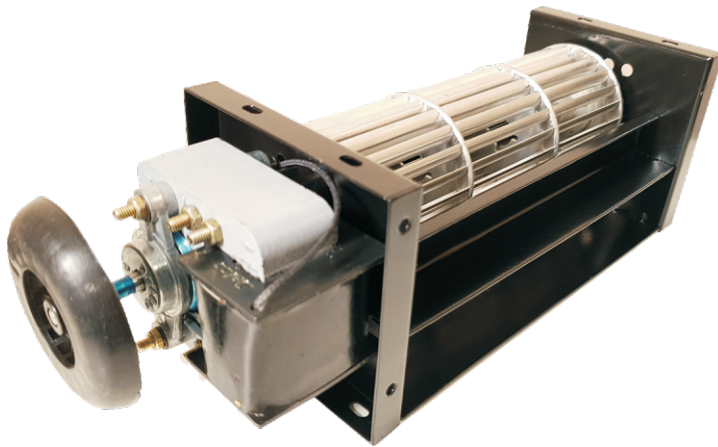


# LIGHT DUTY TANGENTIAL BLOWERS / RADIAL BLOWERS



Since 1974

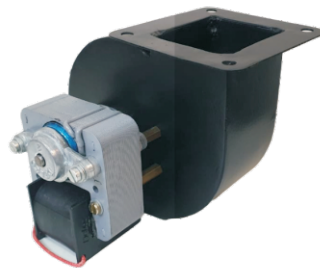


**DE 25 CF**

### Application Areas :

- Business Machines
- Photographic Machines
- Wave Soldering Machines
- Packing Machines

Delco offers Blowers using Shaded Pole Motors - A new product line particularly well suited to small systems, where concentrated air flow, space and noiselevels are serious consideration. They range in performance from 85 CFM to 135 CFM at zero static pressure. This new Delco Centrifugal Blower offer all the features of the most sophisticated fan technology. Driven by quality performance light weight shaded pole motor of 2880 RPM.

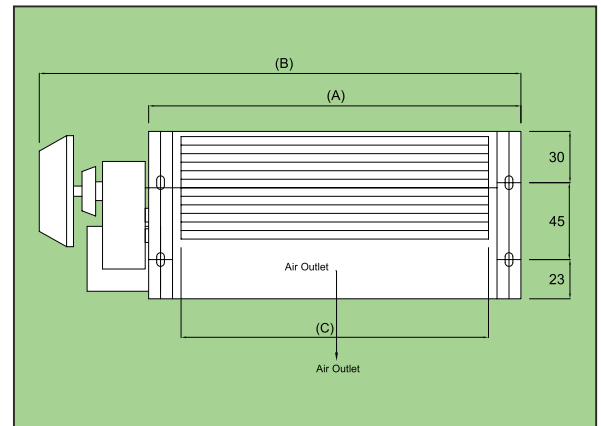


**DE 25 CB**

- Equipped with precision Ball Bearings
- Plastic/metallic outer casing
- Aluminium Impeller
- Low power consumption.
- Long life expectancy.
- Air performance can be matched with cooling needs within wide limits.
- Light weight with high mechanical stability.
- Improved tooling, rigid inspection at all stages assure your original equipment long life operation.
- Vast experience enable us to offer you production and delivery usually within 2 weeks.
- Tangential / Radial - blowers can be developed as per technical specifications.

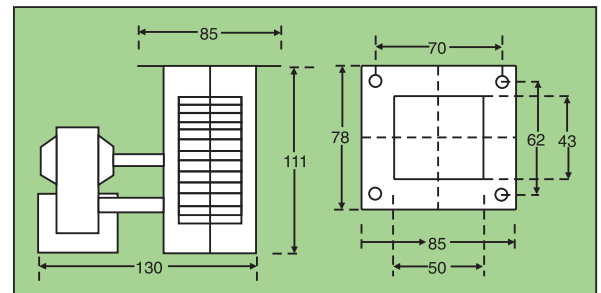


**DE 17 CB**

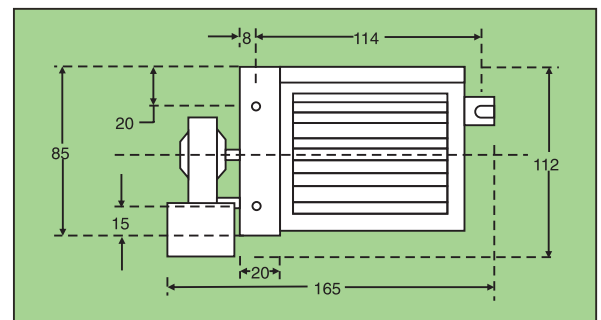


Motor : Shaded Pole - 2 Pole construction, 2880 RPM,  
single phase, 220 / 230 VAC, 50 HZ.

MODEL	A	B	C	POWER	IMPELLER	AIR FLOW	SPEED
	mm	mm	mm	WATTS	MM	CFM	RPM
DE 25 CF	218	285	180	22	60 $\phi$ x180	85	2000
DE 31 CF	280	350	240	28	60 $\phi$ x240	98	1900
DE 38 CF	340	420	300	30	60 $\phi$ x300	135	1800



DELCO	POWER	IMPELLER	AIR FLOW	SPEED
PART NO.	WATTS	MM	CFM	RPM
DE 25 CB	20	75 $\phi$ x 38	110	2500



DELCO	POWER	IMPELLER	AIR FLOW	SPEED
PART NO.	WATTS	MM	CFM	RPM
DE 17 CB	17	60 $\phi$ x 80	120	2500



**Delco Fans Pvt. Ltd.**

Plot No. A/388, Rd. No. 28, Wagle Estate, Thane - 400 604, M.S. INDIA.  
**Tel: +91-9769201564/7506960811. Email: delcofans@gmail.com**  
**Website: www.delcofans.com**