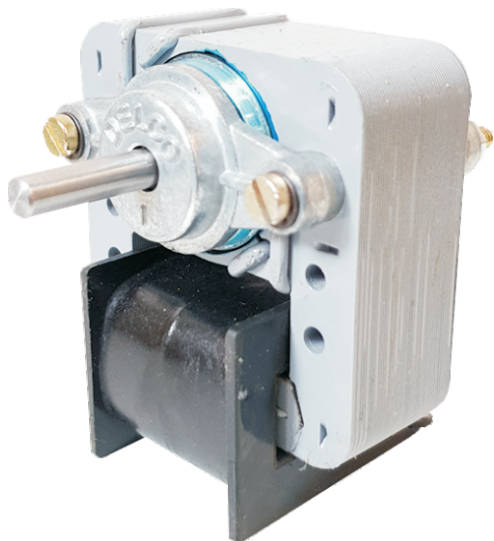


# A. C. SHADED POLE MOTORS



Since 1974

## Type DEBB



### Application Areas :

- Instrument Fans    ■ Geared Motors    ■ Medical Equipment    ■ Stirrers
- Blowers            ■ Office Equipments    ■ Appliances            ■ Pumps

### ENGINEERING DESIGN

"DELCO" motors are designed specifically for custom design to your specifications. Complete engineering for just the right OEM motor for the exact torque and speed to fit your specific design need.

### ECONOMICAL

Our improved tooling, production and rigid inspection at all stages assures your original equipment long life operation and at lowest cost possible.

### All Purpose Motors

After prolonged experiments tests & trials we have developed most ideal Primeover DELCO FRACTIONAL HORSE POWER SPECIAL PURPOSE ELECTRIC MOTORS to meet the strictest performance demands for long life and trouble free application for Original Equipment Manufacturers.

### Specifications :

#### Motor :

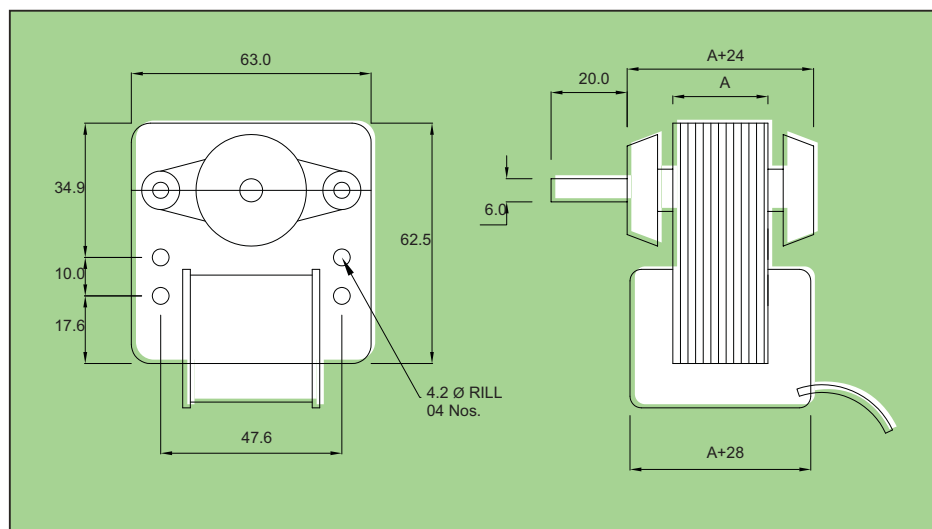
1. Most compact in design to accommodate largest horsepower.
2. Available in two Pole, single phase design.
3. Wide range of motors from 5 watts to 35 watts.
4. Materials used are guaranteed for quality & reliability.
5. The temperature rise is limited to 40° C.
6. Single Phase, 2 Pole, Skeleton Type, 220/230 vac, 2880 RPM.

### Salient Features :

1. Horizontal or vertical mounting to suit customer's needs.
2. Mozac die-cast bearing arms at each end.
3. Motor with ball bearings only.

### Optional Features:

- Thermal protection    ■ Stainless shafts    ■ Cooling Fan    ■ Lower Voltages if required.
- 6" Aluminium Blade.



TECHNICAL DATA			
DELCO Part No.	'A'm.m.	WATTS	WEIGHT in kg.
DEBB 10	10	7	0.490
DEBB 14	14	9	0.575
DEBB 17	17	15	0.675
DEBB 20	20	22	0.750
DEBB 25	25	25	0.860
DEBB 31	31	28	1.110
DEBB 38	38	30	1.245
DEBB 50	50	35	1.550

All values based on a 25% duty cycle or continuous duty with a 65 mm dia. cooling fan mounted on the rotor shaft.



**Delco Fans Pvt. Ltd.**

Plot No. A/388, Rd. No. 28, Wagle Estate, Thane - 400 604, M.S. INDIA.  
**Tel: +91-9769201564/7506960811. Email: delcofans@gmail.com**  
**Website: www.delcofans.com**